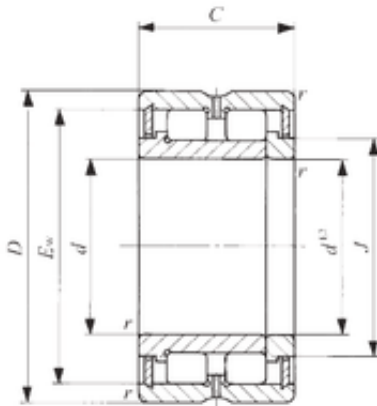




NTN de Mexico, S.A.

55 mm x 80 mm x 25 mm IKO NAG 4911 cylindrical roller bearings



Bearing No. NAG 4911

Size	55x80x25 mm
Bore Diameter	55 mm
Outer Diameter	80 mm
Width	25 mm
d	55 mm
D	80 mm
Ew	72,5 mm
B	25 mm
C	25 mm
r min.	1 mm
J	61,5 mm
Weight	0,395 Kg
Basic dynamic load rating (C)	48,1 kN
Basic static load rating (C0)	77,7 kN

NAG 4911 Bearing 2D drawings and 3D CAD models