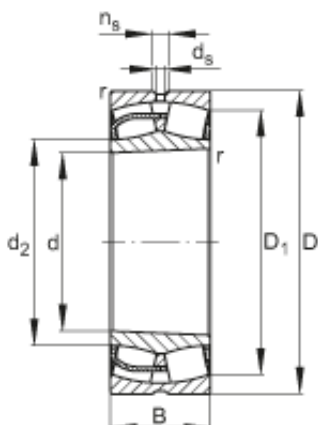




NTN de Mexico, S.A.



110 mm x 180 mm x 69 mm FAG 24122-E1-K30 spherical roller bearings

Bearing No. 24122-E1-K30

24122-E1-K30 Bearing 2D drawings and 3D CAD models

Size	110x180x69 mm
Bore Diameter	110 mm
Outer Diameter	180 mm
Width	69 mm
d	110 mm
D	180 mm
B	69 mm
D ₁	154,9 mm
D _{a max}	169 mm
d ₂	125,6 mm
d _{a min}	121 mm
d _s	3,2 mm
n _s	6,5 mm
r _{a max}	2 mm
r _{min}	2 mm
m	6,7 kg / Weight
C _r	530000 N / Dynamic load rating (radial)
e	0,34
Y ₁	1,96
Y ₂	2,92
C _{0r}	750000 N / Static load rating (radial)
Y ₀	1,92



NTN de Mexico, S.A.

n_G	3350 1/min / Limiting speed
n_B	2000 1/min
C_{ur}	84000 N / Fatigue limit load, radial