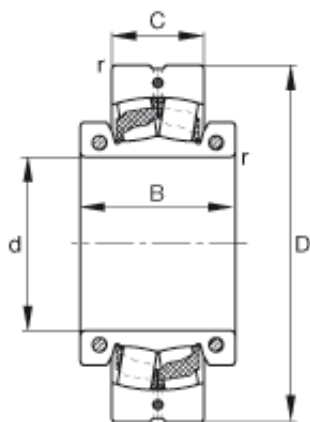




# NTN de Mexico, S.A.

5 3/16 inch x 270 mm x 122 mm FAG 222S.503 spherical roller bearings



Bearing No. 222S.503

Size	131.763x270x73 mm
Bore Diameter	131,763 mm
Outer Diameter	270 mm
Width	73 mm
d	131,763 mm
d	5 3/16 inch
D	270 mm
C	73 mm
B	122 mm
r <sub>min</sub>	3 mm
m	25,3 kg / Weight
C <sub>r</sub>	735000 N / Dynamic load rating (radial)
e	0,25
Y <sub>1</sub>	2,67
Y <sub>2</sub>	3,97
C <sub>0r</sub>	1020000 N / Static load rating (radial)
Y <sub>0</sub>	2,61
n <sub>G</sub>	1090 1/min / Limiting speed
C <sub>ur</sub>	73000 N / Fatigue limit load, radial
F <sub>a max</sub>	22200 N / Permissible axial load, for inner ring without axial abutment
M <sub>i</sub>	69 Nm / Tightening torque

222S.503 Bearing 2D drawings and 3D CAD models



## NTN de Mexico, S.A.

	per clamping screw
$M_a$	35 Nm / Tightening torque per clamping screw
	22230K / Designation, spherical roller bearing, unsplit
	H3130.503
SNW30.503	Designation, adapter sleeve, US design
SNV270	Designation, plummer block housing